

# Instructions for Ordering Parts

All service parts should be ordered through your H & S dealer. He will be able to give you faster service if you will provide him with the following:

1. Model of Tedder  
Serial number -
2. All references to left or right, apply to the machine as viewed from rear.
3. Parts should not be ordered from the illustration only. Use complete parts number and description, as shown in the parts lists.
4. If the dealer has to order the part - give the shipping instructions.  
VIA truck - large pieces (Specify local delivery truck line)  
VIA United Parcel Service

<b>H &amp; S Mfg. Co.</b>	
MARSHFIELD, WI	
MOD. NO.	H&S TEDDER
SER. NO.	

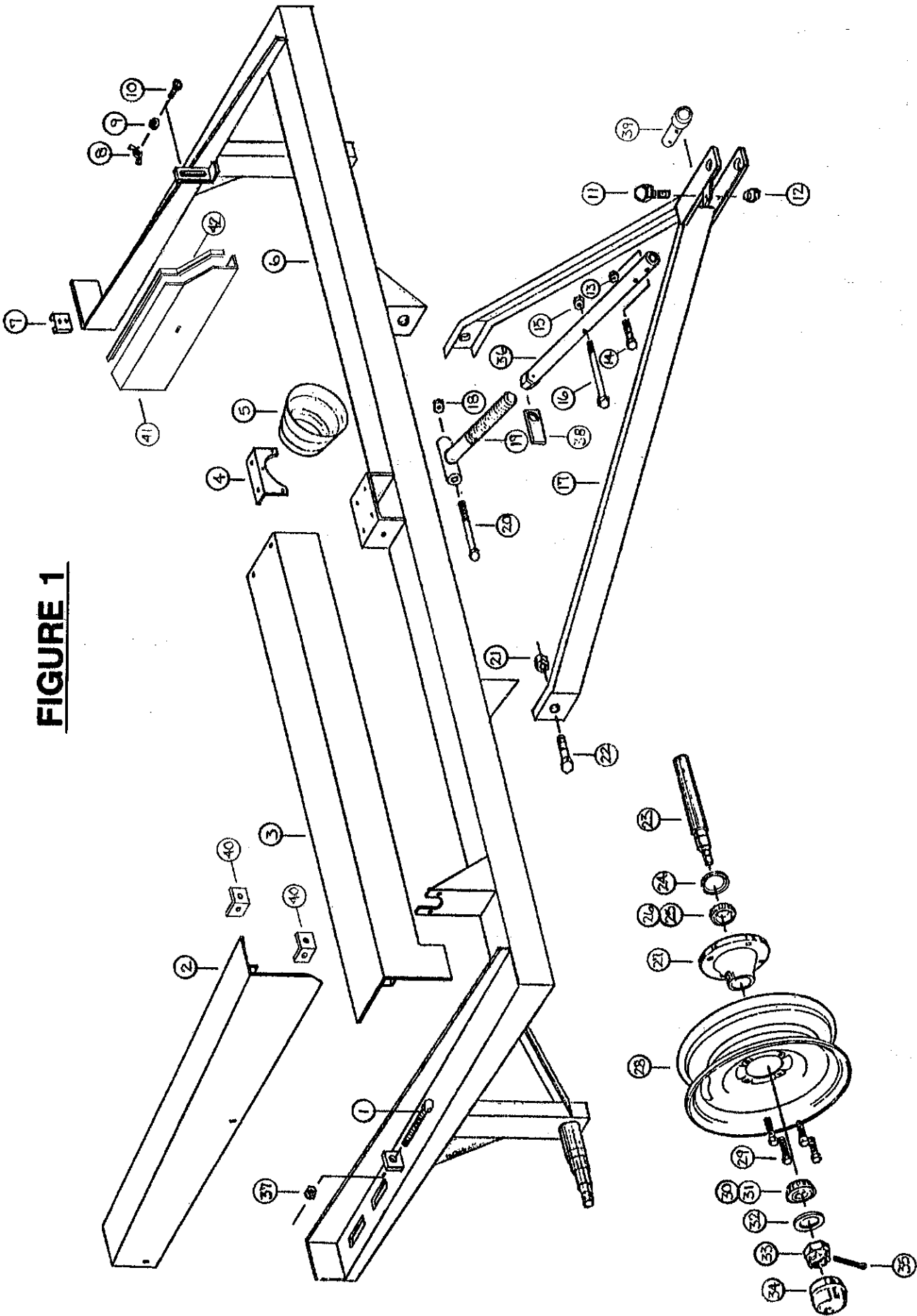
Record numbers in spaces provided above from the Serial Number tag off machine, as a handy record for quick reference.

## ABOUT IMPROVEMENTS

H & S is continually striving to improve its products.

We must therefore, reserve the right to make improvements or changes when it becomes practical to do so, without incurring any obligation to make changes or additions to the equipment previously sold.

**FIGURE 1**

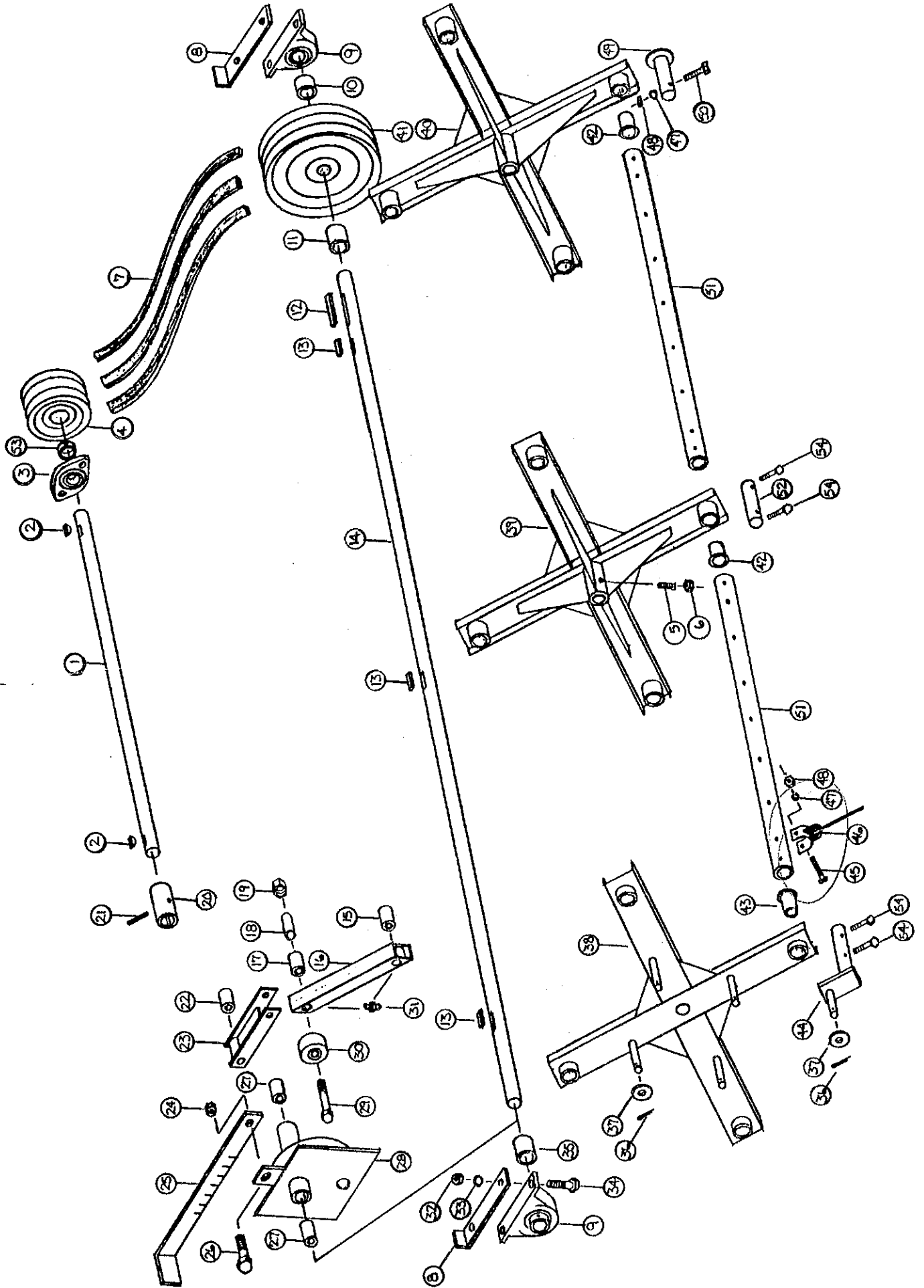


**FIGURE 1**  
**FRAME AND SHIELDS**

ITEM	MODEL & PART NO.		DESCRIPTION
	8'	7'	
1	9S16	"	Tightener Bolt 1/2 x 4-1/2
2	T10	"	Side Shield
3	T11	T711	Front Shield
4	T12	"	Gear Box Shield
5	T13	"	Gear Box Plastic Shield
6	T14	T714	Tedder Main Frame
7	F97	"	SMV Holder
8	T15	"	Wing Nut
9	T16	"	1/4" Flat Washer
10	T17	"	Carriage Bolt 1/4 x 3/4
11	T18	"	PTO Holder
12	R11	"	1/2" Lock Nut
13	A14	"	3/8" Lock Nut
14	T114	"	3/8 x 2 Bolt Grade 5
15	A14	"	3/8" Lock Nut
16	T20	"	3/8 x 6 Bolt
17	T21	"	Pole for Tedder
18	R29	"	1/2" Nut
19	T22	"	Adjustment Screw
20	X99	"	1/2 x 6-1/2 Bolt
21	T23	"	3/4" Lock Nut
22	T24	"	3/4 x 2 Bolt
23	T25	"	Spindle
24	T26	"	Seal CR-14975
25	T27	"	Bearing LM67048
26	T28	"	Race LM67010
27	T29	"	Hub
28	T30	"	Rim
29	T31	"	Hub Bolt
30	T32	"	Bearing LM11949
31	T33	"	Race LM11910
32	T34	"	Washer
33	T35	"	Nut
34	T36	"	Hub Cap
35	T37	"	Cotter Pin
36	T117	"	Adjustment Pipe
37	R29	"	1/2" Nut
38	T118	"	Adjustment Lock
39	T119	"	Adjustment End Shaft
40	T120	"	Shield Angle
41	T121	"	LH Side Shield
42	T124	"	Plastic Edge For Shield

NOTE: " (Same Part No. As 8' Model)

**FIGURE 2**



**FIGURE 2  
CAM AND BELT DRIVE ASSEMBLY**

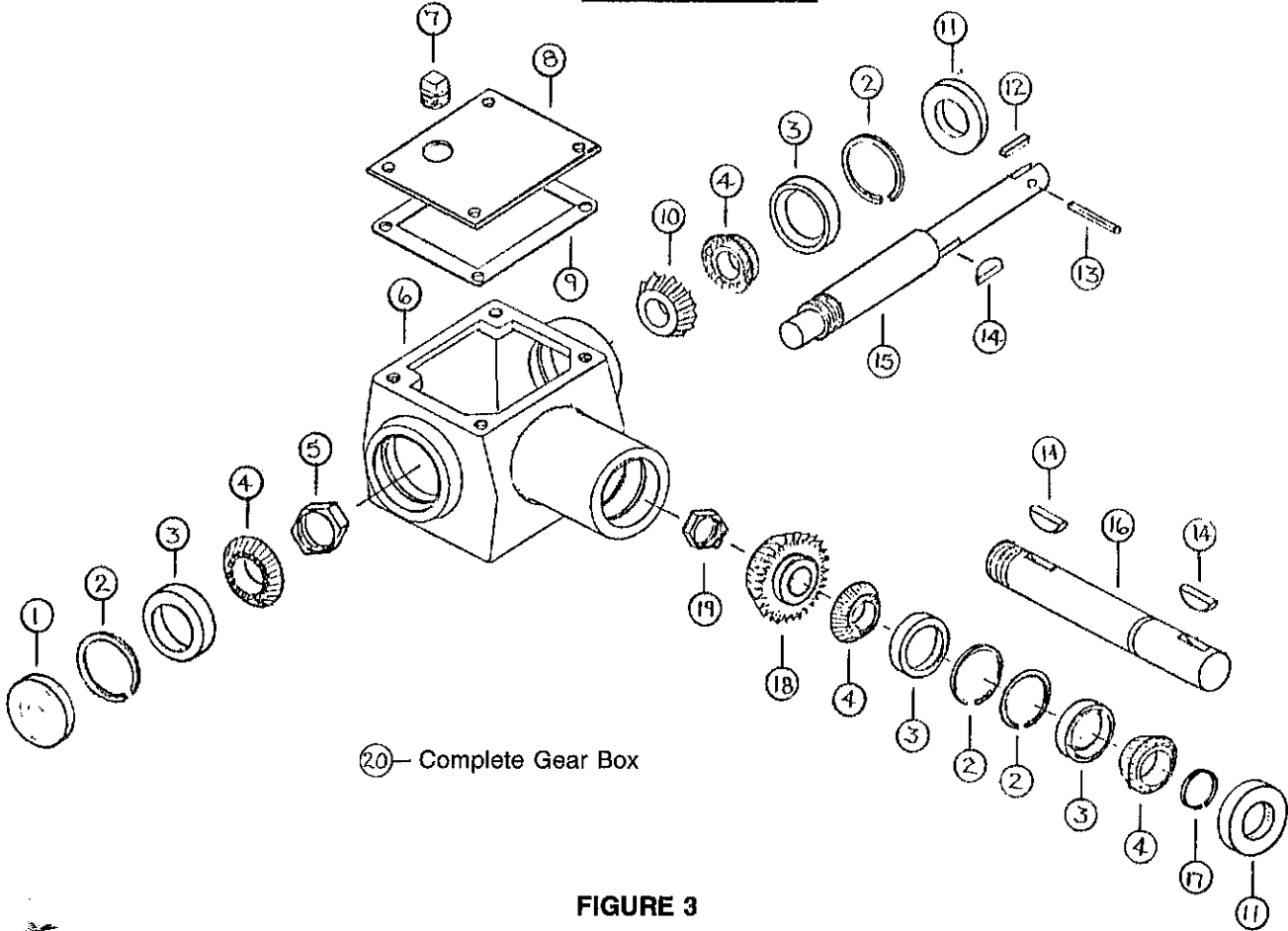
ITEM	8'	7'	DESCRIPTION
1	T39	T739	Front Shaft
2	5B10	"	1/4 x 1 Woodruff Key
3	T40	"	Bearing
4	T260	"	Pulley
5	T115	"	Set Screw for Reel
6	T116	"	5/16" Nut
7	T44	"	V-Belt
8	T45	"	Tightener Brackets
9	T46	"	Bearing
10	T47	"	Spacer 1-3/8"
11	T48	"	Spacer 2-5/8"
12	T49	"	5/16 x 4 Sq. Key
13	T50	"	5/16 x 2 Sq. Key
14	T51	T751	Reel Shaft
15	T52	"	Bronze Bushing 3/4" I.D.
16	T53	"	Cam Long Arm
17	T52	"	Bronze Bushing 3/4" I.D.
18	T122	"	Steel Bushing 5/8" I.D.
19	T60	"	5/8" Lock Nut
20	T57	"	Gear Box Connector
21	3G22	"	Roll Pin 5/16 x 1-3/4
22	T58	"	Bronze Bushing 3/4" I.D.
23	T59	"	Cam Short Arm
24	T60	"	5/8" Lock Nut
25	T61	"	Cam Handle
26	T62	"	5/8 x 1-1/2 Bolt
27	T63	"	Bronze Bushing 1-3/8" I.D.
28	T64	"	Cam Assembly
29	T65	"	5/8 x 4 Bolt
30	T66	"	Cam Roller Bearing
31	T67	"	Grease Zerk (long)
32	T68	"	5/8" Nut
33	T69	"	5/8" Lock Washer
34	T70	"	5/8 x 2 Bolt
35	T71	"	Spacer 1"
36	T72	"	Cotter Pin 5/32 x 1-1/2
37	T73	"	Washer
38	T74	"	LH Reel Cross
39	T75	"	Center Reel Cross
40	T76	"	RH Reel Cross
41	T77	"	Pulley
42	T78	"	Bronze Bushing 1-1/4" I.D.
43	T79	"	Bronze Bushing 1-1/4" I.D.
44	T80	"	LH Stub Shaft
45	T123	"	3/8 x 2-1/4 Bolt Grade 5
46	T82	"	Rubber Mounted Teeth
47	B68	"	3/8" Lock Washer
48	K60	"	3/8" Nut
49	T83	"	RH Stub Shaft
50	T19	"	3/8" x 2 Bolt Grade 5
51	T84	T784	Reel Pipe <u>4 1/4" - 7 FT</u>
52	T85	"	Center Stub Shaft
53	4C9	"	Lock Collar
54	T123	"	3/8 x 2-1/4 Bolt Grade 5 (Thru Teeth)
	T114	"	3/8 x 2 Bolt Grade 5 (Thru pipe)

9 FT ↔ 4 7/4" →

4 1/4" - 7 FT

NOTE: " (Same Part No. As 8' Model)

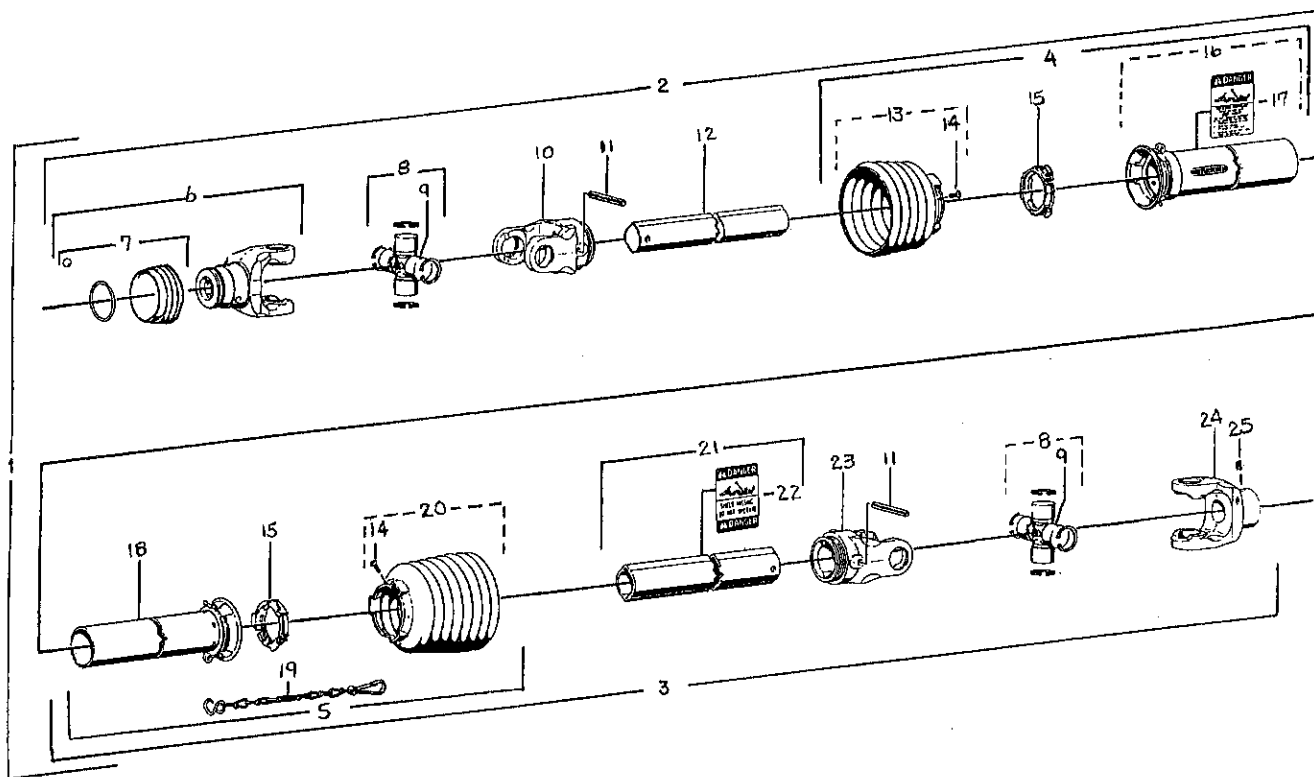
**FIGURE 3**



**FIGURE 3  
BEVEL GEAR BOX**

ITEM	MODEL & PART NO.		DESCRIPTION
	8'	7'	
1	X2	"	Dust Cap
2	3G19	"	Snap Ring
3	3G18	"	Race #15245
4	3G7	"	Bearing #15101
5	3G11	"	Nut
6	3G1	"	Housing
7	3G20	"	Plug
8	3G3	"	Cover
9	3G2	"	Gasket
10	X3G5	"	Gear 12T
11	3G9	"	Seal
12	S135	"	1/4 x 1-1/4 Sq. Key
13	3G22	"	5/16 x 1-3/4 Roll Pin
14	5B10	"	1/4 x 1 Woodruff Key
15	T86	"	Gear Box Front Shaft
16	T87	"	Gear Box Side Shaft
17	3G21	"	Snap Ring
18	X36	"	Gear 18T
19	3G4	"	Nut
20	T112	"	Complete Gear Box

NOTE: " (Same Part No. As 8' Model)



**FIGURE 4**  
**PTO PARTS**

ITEM	PART NO.	DESCRIPTION
1	T256	PTO Assembly Complete
2	T257	Tractor Half PTO
3	T90	Machine Half PTO
4	T91	Tractor Half Shield
5	T92	Machine Half Shield
6	T258	End Yoke Tractor Half
7	T259	Collar Kit
8	T95	Cross and Bearing Kit
9	T96	Grease Zerk
10	T97	Inboard Yoke - Tractor Half
11	T98	Roll Pin
12	T99	Inner Profile
13	T100	Shield Cone
14	T101	Screw
15	T102	Bearing Ring
16	T103	Outer Shield Tube w/Cap
17	T104	Danger Decal - Shield
18	T105	Inner Shield Tube w/Cap
19	T106	Safety Chain
20	T107	Shield Cone
21	T108	Outer Profile
22	T109	Danger Decal Steel
23	T110	Inboard Yoke - Machine Half
24	T111	End Yoke - Machine Half
25	X73	3/8-16 Serscrew

